

AE6 ULTRON Version Solar Street Light

Leadsun integrates the most cutting-edge technology with highly efficient PV module, powerful LiFePO4 batteries and smart controller into sleek and compact design. With a separate and flexible cut-off luminaire, AE6 ULTRON version can be adapted to a variety of lighting angles so as to improve the product performance and efficiency, meanwhile, to simplify the installation and enhance user experience.

CE | IP66 | IK08

LEADSUN[®]

"Bright Ideas For An Even Brighter Future."

Phone: +86-756-2289712
Email: sales@leadsunglobal.com
www.leadsunglobal.com





Rock Solid Mechanical Structure

With modular design, anti-corrosive aluminum alloy shell, toughened stainless steel components, IP66 and IK08 rated covers for added strength, the ULTRON series has been engineered to be extremely durable and handle whatever comes its way. Be it a rain, snow or storm, AE6 ULTRON version has got the area covered.

IP66

IK08

5-year Warranty



Intelligent Steady State Controller

With its rich industry experience, Leadsun has independently developed intelligent controllers for solar street lights. AE steady state controller not only realizes the smart control of lighting, but also provides comprehensive protection for the whole system. The controller comes with waterproof programming connector, charging connector and switch, providing the possibility and convenience for later maintenance.



**Efficient
Controller**



**Stable
Operation**

Type B USB
Female Connector

Type A USB
Female Connector

ON/OFF Button



**Batter
Management
System**



**8-Year
Life**

Battery Management System

Adopted environment-friendly LiFePO4 battery without metal ingredient. The depth of discharge is lifted from 60% up to 90%, 5 times the cycle life.

It combines of the exclusive patented battery management technology, enabling the life span of battery to last for over 8 years.

Freedom Classic LED Fixture

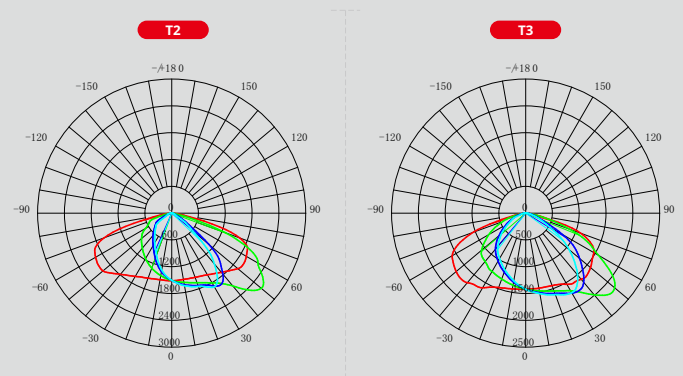
Using high-efficiency LED, luminous efficiency is up to 180lm/W (@25 C). The lights sealing lens is made of strong anti-ultraviolet PC, which has anti-aging and anti-impact performance, enabling long term usage.

With the unique cutoff design of the optic lens, allows us to eliminate the lighting pollution to the environment.



Bat Wing Light Distribution

The new lens design improves the lighting effect and lighting uniformity, while also increasing light coverage.



PIR Motion Detection System

PIR motion detection system that automatically regulate the light source from full bright to dim mode to increase battery autonomy.

100% Brightness when motion is detected

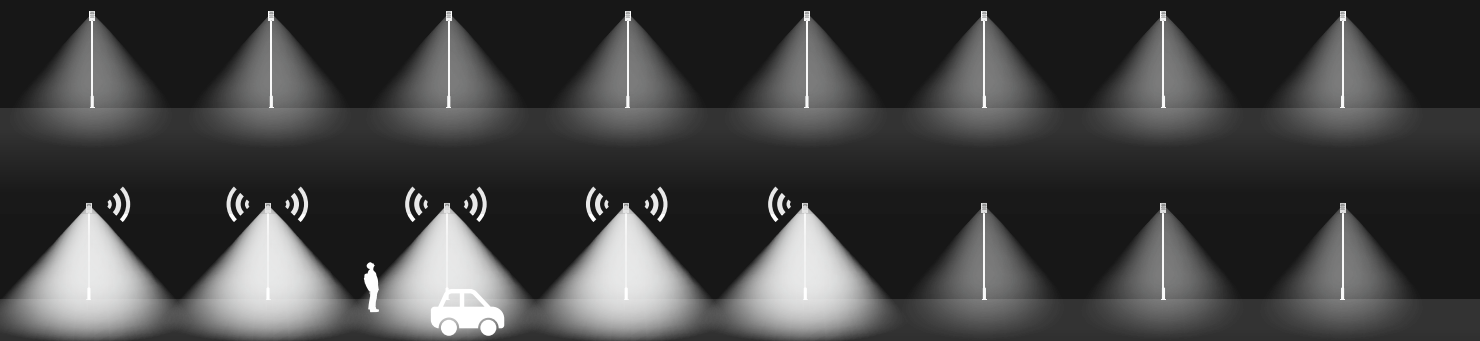


30% Brightness when no motion is detected



Dynamic Intelligent Sensing System

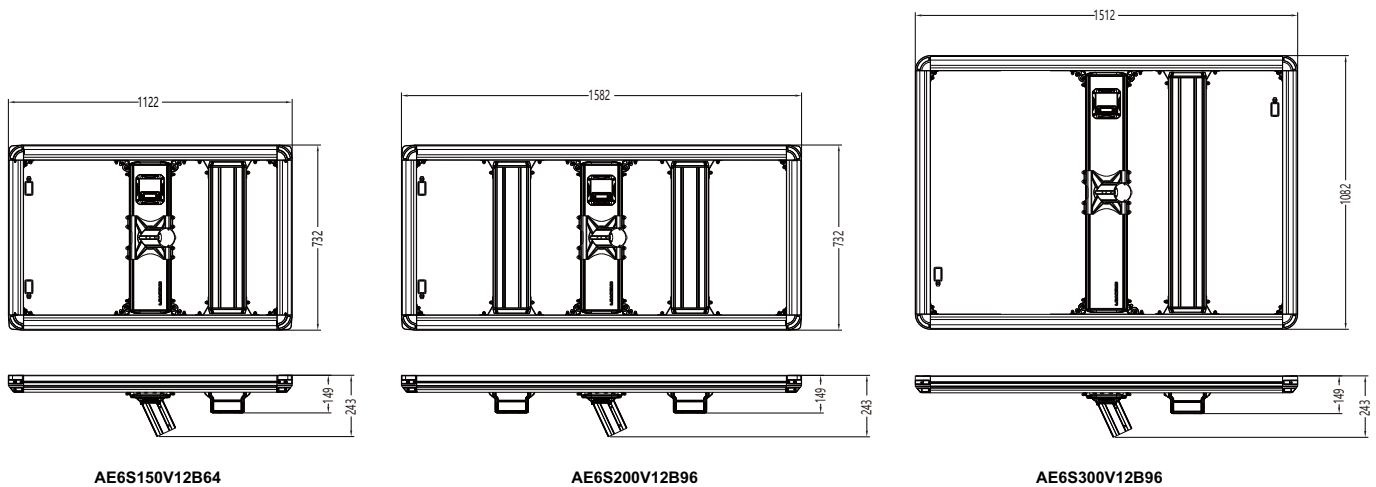
Leadsun has created an autonomous adaptive lighting control system which is achieved by sensing an approaching vehicle or pedestrian using PIR sensors and integrated 2.4Ghz wireless transmission modules, then switching ON a block of streetlights ahead of the vehicle with higher intensity lighting. As the vehicle passes by, the trailing lights turn dim automatically; When there are no vehicles detected, then all the lights will remain dim.



AE6 Solar Power Supply System Specifications

Model No.	AE6S150V12B64	AE6S200V12B96	AE6S300V12B96	
Physical Parameters				
Power of PV Module (W)	150	200	300	
Lithium Battery Capacity (Ah/Wh)	64Ah (820Wh)	96Ah (1229Wh)	96Ah (1229Wh)	
Net Weight of Product (kg)	26	37	46.2	
Dimension of Product (mm)	1122(L)×733(W)×152(T)	1582(L)×733(W)×152(T)	1512(L)×1073(W)×152(T)	
Wireless Control Function (Optional)	√	√	√	
Light Parameters				
Working Mode	First 4 hours, 100% brightness. After the first 4 hours, 100% brightness when motion is detected and 20% brightness when there is no detection.			
Light Photosensitivity (lx)	30	30	30	
Packing Parameters				
Main Package	Carton Size (mm)	1178(L)×195(W)×828(T)	1638(L)×195(W)×828(T)	1580(L)×195(W)×1165(T)
	Gross Weight (kg)	29	39	50.2
Extra Package (for Bracket)	Carton Size (mm)	205×170×235	205×170×235	205×170×235
	Gross Weight (kg)	2.6	2.6	2.6
Environment Requirement				
Charge Temperature	0°C~51°C	0°C~51°C	0°C~51°C	
Discharge Temperature	-20°C~51°C	-20°C~51°C	-20°C~51°C	
Storage Temperature (<3 months)	-20°C~45°C	-20°C~45°C	-20°C~45°C	
Storage Temperature (3~12 months)	-20°C~25°C	-20°C~25°C	-20°C~25°C	
Mounting Recommendation				
EPA (Effective Projected Area) (ft ²)	4.49	6.33	8.86	
APA (Actual Projected Area) (ft ²)	3.74	5.28	7.38	
Wind Load Rate (mph)	150	150	150	
Maximum Bracket Inner Diameter (mm)	90	90	90	
Top of Pole or Tenon OD (mm)	80~85	80~85	80~85	

Physical Dimensions (mm)

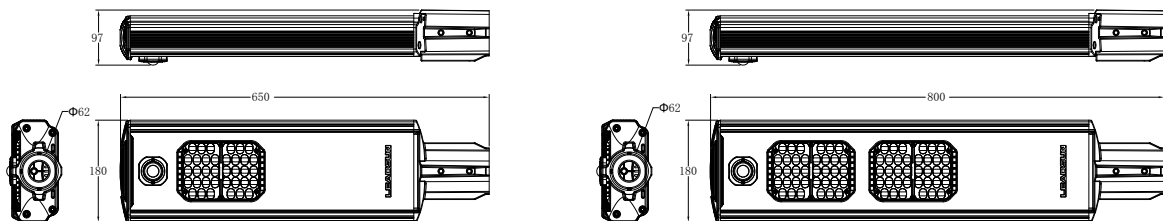


- * The light source contained in this luminaire shall only be replaced by the manufacturer or his service agent or a similar qualified person.
- * The torque setting for any bolts or screws used to secure the luminaire to the bracket is 14 N/m.
- * Use for outdoors only!

LED Light Head Technical Data Specifications

Model No.	RS30	RS40	RS50	RS60	RS80
LED Module Parameters					
Light Output (W)	30	40	50	60	80
Typical Luminous Flux (lm)	5550	7200	9500	11400	14800
Optional Distribution	T2/T3	T2/T3	T2/T3	T2/T3	T2/T3
Color Temperature (K)	5000K	5000K	5000K	5000K	5000K
Physical Parameters					
Qty. of LED Chips	36	36	2×36	2×36	2×36
Motion Sensor	PIR or DISS	PIR or DISS	PIR or DISS	PIR or DISS	PIR or DISS
Range of input Voltage (V)	22V	22V	22V	22V	22V
Net Weight (kg)	3.2	3.2	4	4	4
Dimension of Product (mm)	650×180×97	650×180×97	800×180×97	800×180×97	800×180×97
Visual Angle	140°×70°	140°×70°	140°×70°	140°×70°	140°×70°
Storage Temperature	-20°C~45°C	-20°C~45°C	-20°C~45°C	-20°C~45°C	-20°C~45°C
Packing Parameters					
Dimension of Carton (mm)*(2 Set)	680×250×210	680×250×210	830×250×210	830×250×210	830×250×210
Gross Weight of Package (kg)*(2 Set)	8	8	10	10	10
Mounting Recommendation					
EPA (Effective Projected Area) (ft ²)	0.57	0.57	0.70	0.70	0.70
APA (Actual Projected Area) (ft ²)	0.47	0.47	0.58	0.58	0.58
Wind Load Rate (mph)	130	130	130	130	130
Top of Pole or Tenon OD (mm)	60	60	60	60	60
Installation Height (m)	5~8	5~8	7~10	7~10	8~12
Installation Distance (m)	20~30	20~30	25~40	30~45	35~45

Physical Dimensions (mm)



RS30/RS40

RS60/RS80/RS50

- * The light source contained in this luminaire shall only be replaced by the manufacturer or his service agent or a similar qualified person.
- * The torque setting for any bolts or screws used to secure the luminaire to the bracket is 14 N/m.
- * Use for outdoors only!